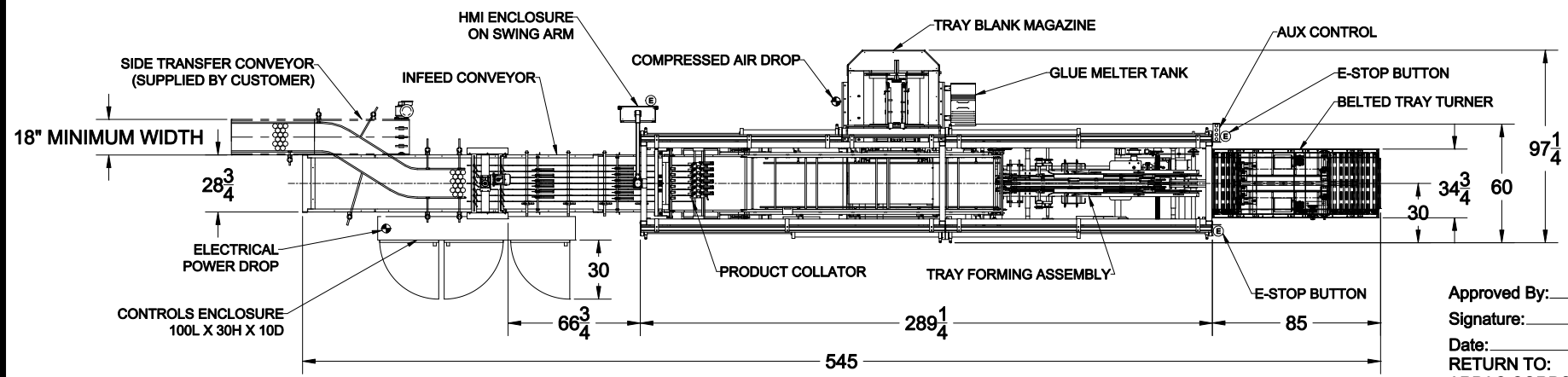
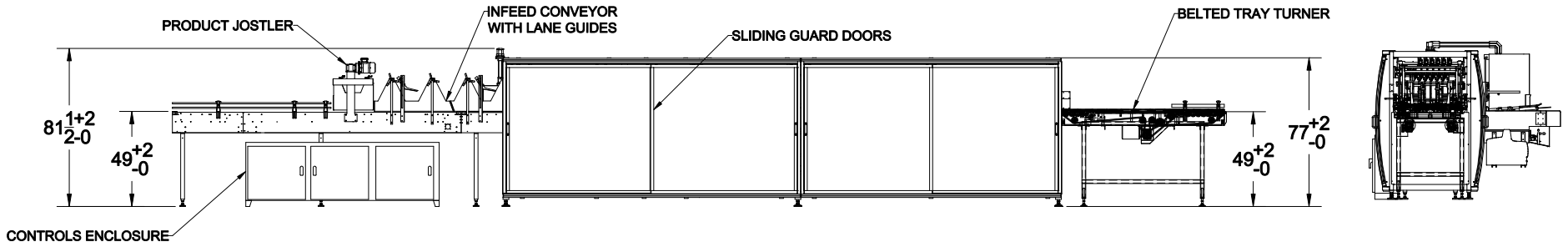


REVISIONS

| RV | DATE   | BY  | DESCRIPTION           |
|----|--------|-----|-----------------------|
| A  | 7-6-15 | SRA | ADDED TTB TRAY TURNER |



Approved By: \_\_\_\_\_  
 Signature: \_\_\_\_\_  
 Date: \_\_\_\_\_  
 RETURN TO:  
 ARPAC CORPORATION  
 Fax: 847-671-7006



PRODUCT INFORMATION

| PROD # | DESCRIPTION        | DIA | HEIGHT | LOOSE PROD RATE | PATTERN | WIDTH | LENGTH | TRAYS/MIN |
|--------|--------------------|-----|--------|-----------------|---------|-------|--------|-----------|
| 01     | 10 OZ GLASS BOTTLE | 2.6 | 6.0    | 900             | 6x4x1   | 15.6  | 10.4   | 35        |
| 02     | 12 OZ GLASS BOTTLE | 2.3 | 9.1    | 600             | 6x4x1   | 13.8  | 9.2    | 25        |

GENERAL NOTES:

ELECTRICAL POWER: 480V 60HZ 3PH, 35 FULL LOAD AMPS  
 MAIN CIRCUIT BREAKER AMPERAGE: 50A  
 COMPRESSED AIR: 80 PSI (OPERATING PRESSURE) 25 SCFM  
 PRODUCT ELEVATION: 49"+2/-0 (THIS ELEVATION MAY REQUIRE PLATFORMS AROUND MACHINE TO ALLOW ACCESS FOR LOADING MAGAZINE AND PERFORMING PRODUCT CHANGE OVERS)  
 PAINT COLOR: BLACK AND SILVER

**ARPAC** 9511 WEST RIVER ST.  
 SCHILLER PARK, IL 60176

UNLESS OTHERWISE SPECIFIED FRACTIONS ± 1/64  
 ALL DIMENSIONAL TOLERANCES: TWO (2) DECIMALS ± 0.010  
 THREE (3) DECIMALS ± 0.005  
 ANGLES ± 0.5°

DRAWN: 06/08/2015 BY: SRA SCALE: SRA SIZE: B  
 RELEASED: FILENAME: S15028 APPROVED BY:  
 DESCRIPTION: LAYOUT, TRAY LOADER, TS-2100  
 LA BOTTLEWORKS  
 DRAWING NUMBER: S15028