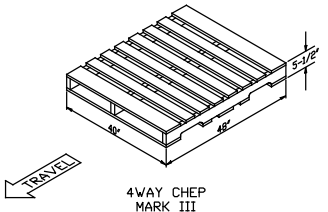
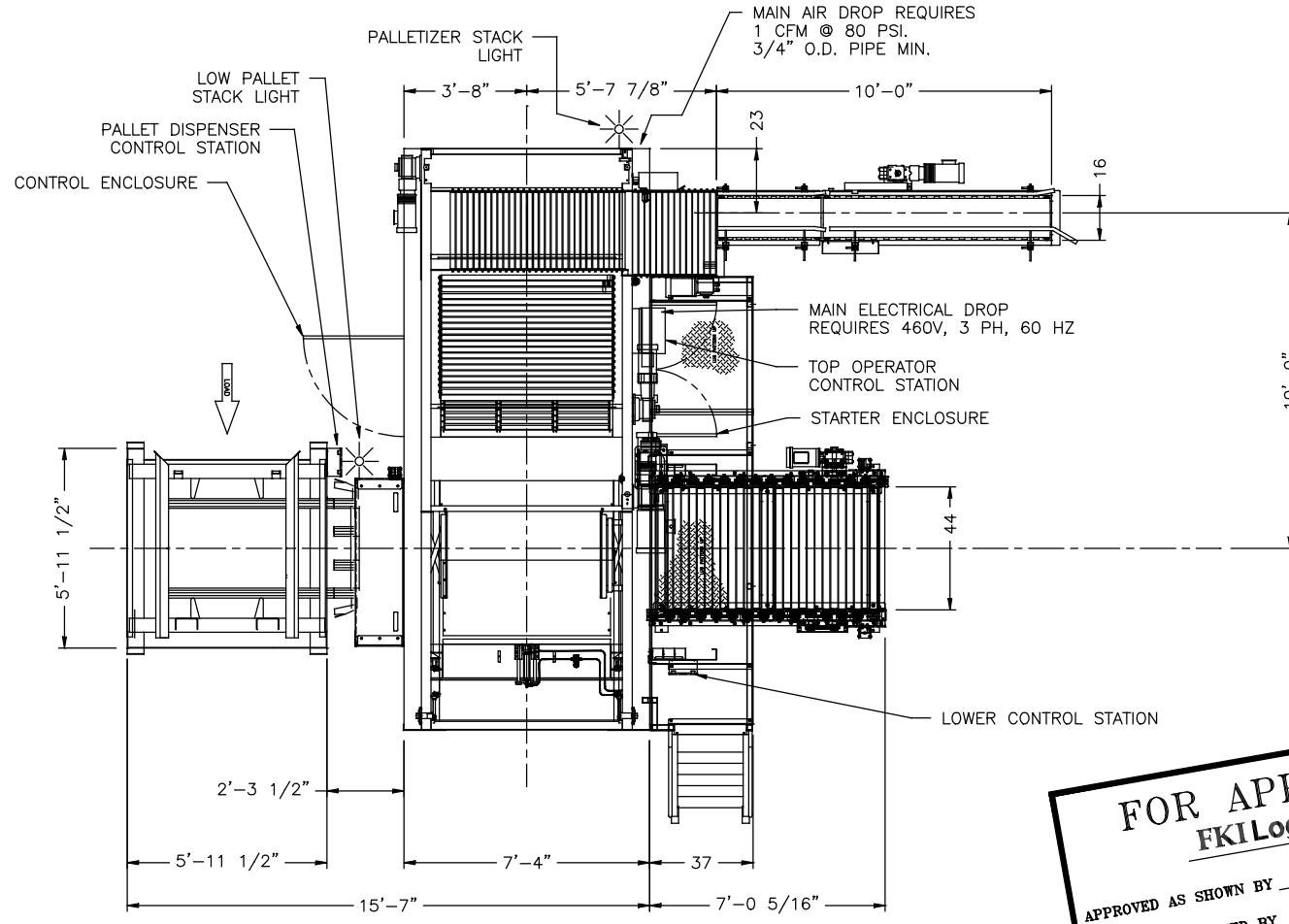


DESIGN SPEEDS FEET PER MIN.						
ITEM	F.P.M.	HP	MTR	SOFT START	VFD	BRAKE
INFEED/SPACER BELT	70/210	1	BLDR	N	Y	AIR
CASE TURNING/ROW FORMER ROLLERS	230/162	1	BLDR	N	Y	N
ROW PUSHER BAR	186	1.5	BLDR	N	Y	AIR
LAYER PUSHER BAR	132	1.5	BLDR	N	N	AIR
LAYER TABLE DRIVE	134	1	BLDR	N	N	N
APRON	116	1.5	BLDR	N	N	AIR
HOIST (CHAIN)	50	10	REL	N	N	AIR
HOIST CDLR TABLE	60	2	BLDR	N	Y	N
HOIST POWERED FILLER CONV.	60	1	BLDR	N	Y	N
PALLET CONVEYDR	60	1.5	BLDR	N	N	N
DISCHARGE CONVEYDR #1	60	2	BLDR	N	Y	N



LIGHT STACK COLORS
RED: MACHINE FAULT
AMBER: LOW PALLET



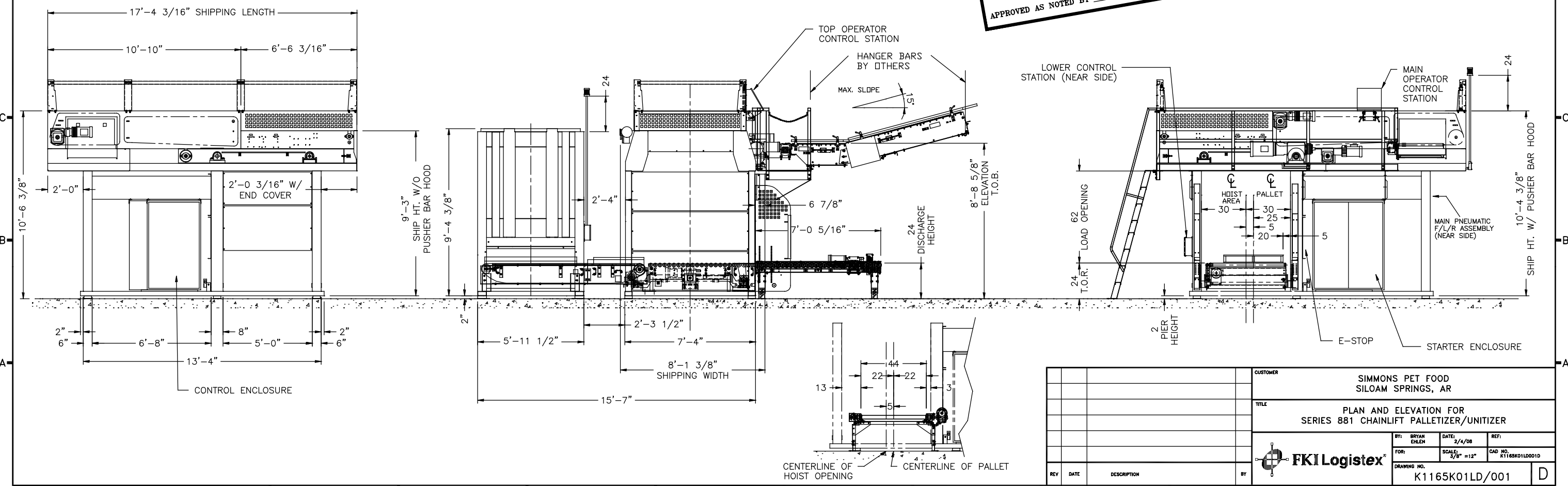
881 SPECIFICATIONS FOR PALLETIZER:
CUSTOMER: SIMMONS PET FOOD
LOCATION: SILOAM SPRINGS, AR
MACHINE S.N.: 01-K1165118
CUSTOMER P.O. NO.: 05050

PALLET SIZE: L= 48" W= 40" H= 5 1/2"
ELECTRICAL SERVICE: SEE ELECTRICAL AMP; 480VOLT; 3PH; 60HZ.
PROGRAMMABLE CONTROLLER: SEE ELECTRICAL DRAWINGS
PNEUMATIC SERVICE: 1 C.F.M. @ 80 P.S.I.
PAINT: FKI GRAY'S: FKI GRAY #18001, LT GRAY #18166
MOTORS: BALDR / RELIANCE (HOIST DRIVE)
REDUCERS: DODGE / WINSMITH (HOIST DRIVE)
PALLET DISPENSER: MAX STACK HEIGHT 72"
MAX STACK WEIGHT 1600 LBS.
MAX LOAD HGT FOR PLANS 'LR', 'LL', 'RL', 'RR' = 67" PL OR 62" UL
MAX LOAD HEIGHT FOR PLANS 'LF' & 'RF' = 80" PL OR 76" UL
MAX WEIGHT FOR A LAYER OF PRODUCT 500 LBS.
MAX WEIGHT FOR A FULL LOAD OF PRODUCT 3000 LBS.
MAX. REACTIVE LOADING AT ANY PIER 4000 LBS.
MAX. WEIGHT FOR MAIN MACHINE AT SHIPPING 9000 LBS.
MACHINE WILL SHIP WITH PUSHER BAR HOODS ??
CUSTOMER'S RECEIVING DOOR SIZE: 'W' = ??? X 'H' = ?
SPECIAL FEATURES & OPTIONS:

- PALLETIZER / UNITIZER MACHINE
- DODGE/BALDR DRIVE PACKAGE (EXCEPT HOIST)
- OPERATOR PLATFORM AND LADDER
- CLOSE COUPLED PALLET DISPENSER
- CENTERING SIDE DAMS, AIR OPERATED FRONT DAM
- 2 ENCLOSURE MACHINE

FOR APPROVAL
FKI Logistex
APPROVED AS SHOWN BY _____ DATE _____
APPROVED AS NOTED BY _____ DATE _____

REF. K1165K01LD/002
FOR PATTERN AND
PRODUCT DATA.



REV		DATE	DESCRIPTION	BY	CUSTOMER SIMMONS PET FOOD SILOAM SPRINGS, AR	
				TITLE PLAN AND ELEVATION FOR SERIES 881 CHAINLIFT PALLETIZER/UNITIZER		
BY: BRYAN EHLEN		DATE: 2/4/08	REF:	FKI Logistex		
FOR: K1165K01LD/001		SCALE: 3/8" = 12"	CAD NO. K1165K01LD001D	DRAWING NO. K1165K01LD/001		