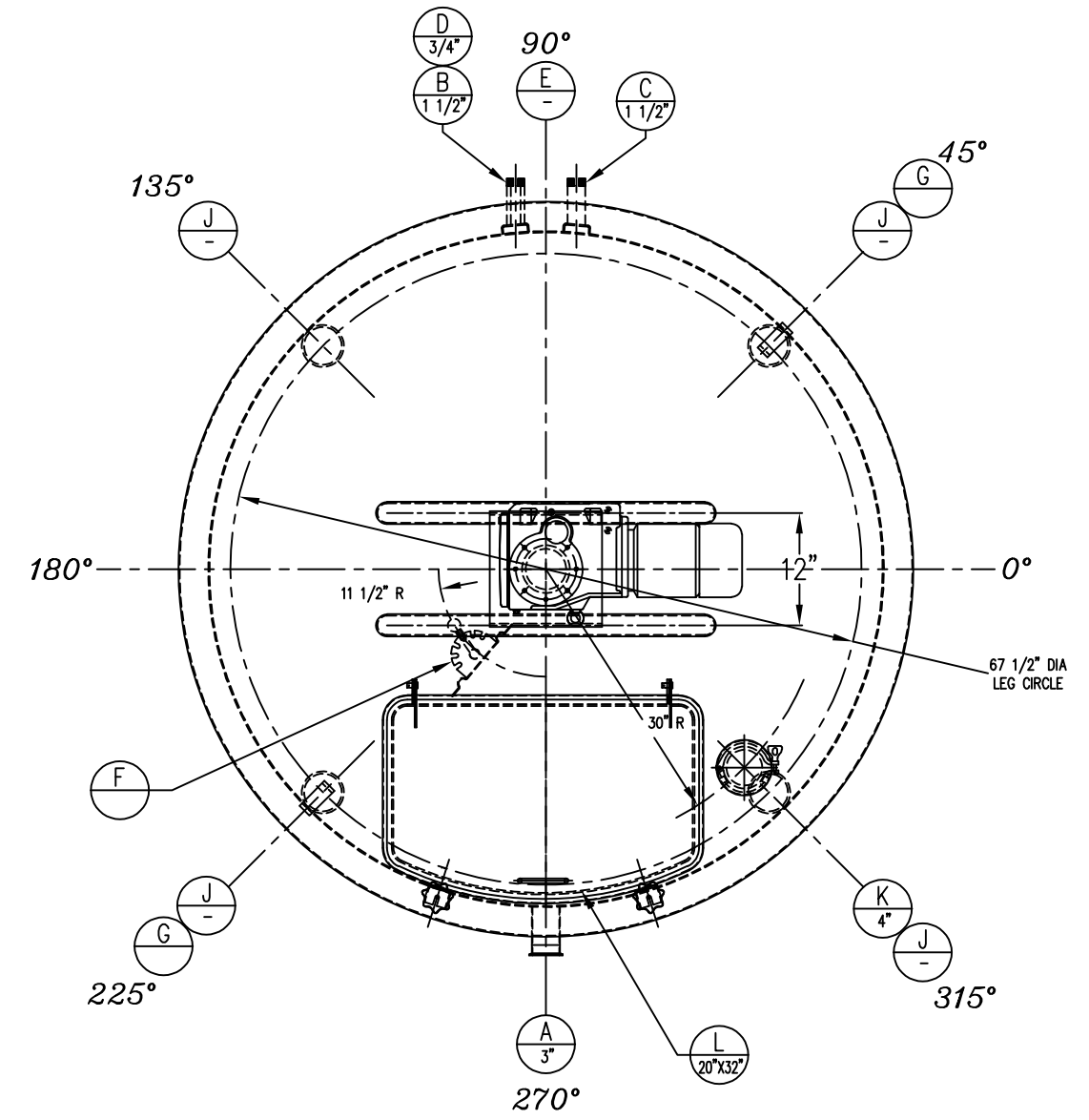
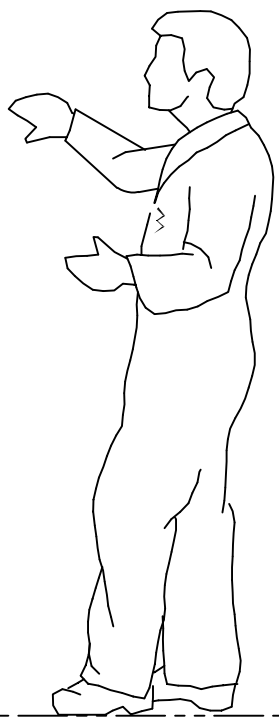


HEAT TRANSFER ORIENTATION

SHEATHING VENT

ELEVATION
SEE PLAN VIEW
FOR TRUE ORIENTATION



PLAN VIEW

AS BUILT

QUOTE N ♀ -		P.O. No. VERBAL BILL HARRIS Δ	
FELDMER EQUIPMENT			
575 E. Mill Street Little Falls, New York 13365			
DRAWN BY: RGF	ENGRG. Approved By	CI	REV A
DATE 12/11/08			SHEET: 2 of 2
QTY (1): 1,200 GALLON 72" I.D. VERTICAL, INSULATED, JACKETED, STAINLESS STEEL 'EP' VESSEL			
SOLD TO: APLICARE, INC.			
Δ PO BOX 237 PRICHARD INDUSTRIAL PARK, PRICHARD WV 25555			
SHIP TO: APLICARE, INC.			DRAWING NO.
Δ PRICHARD INDUSTRIAL PARK, PRICHARD WV			E-972-08