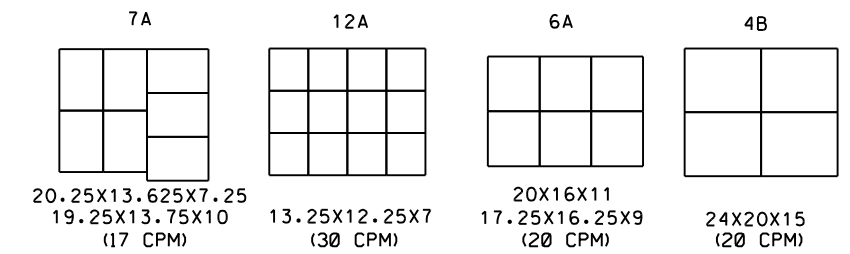
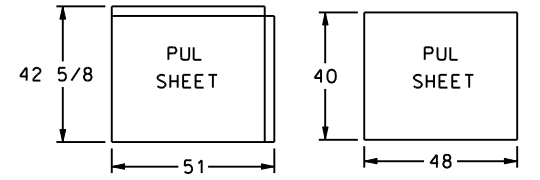
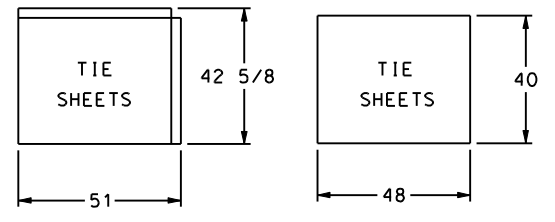
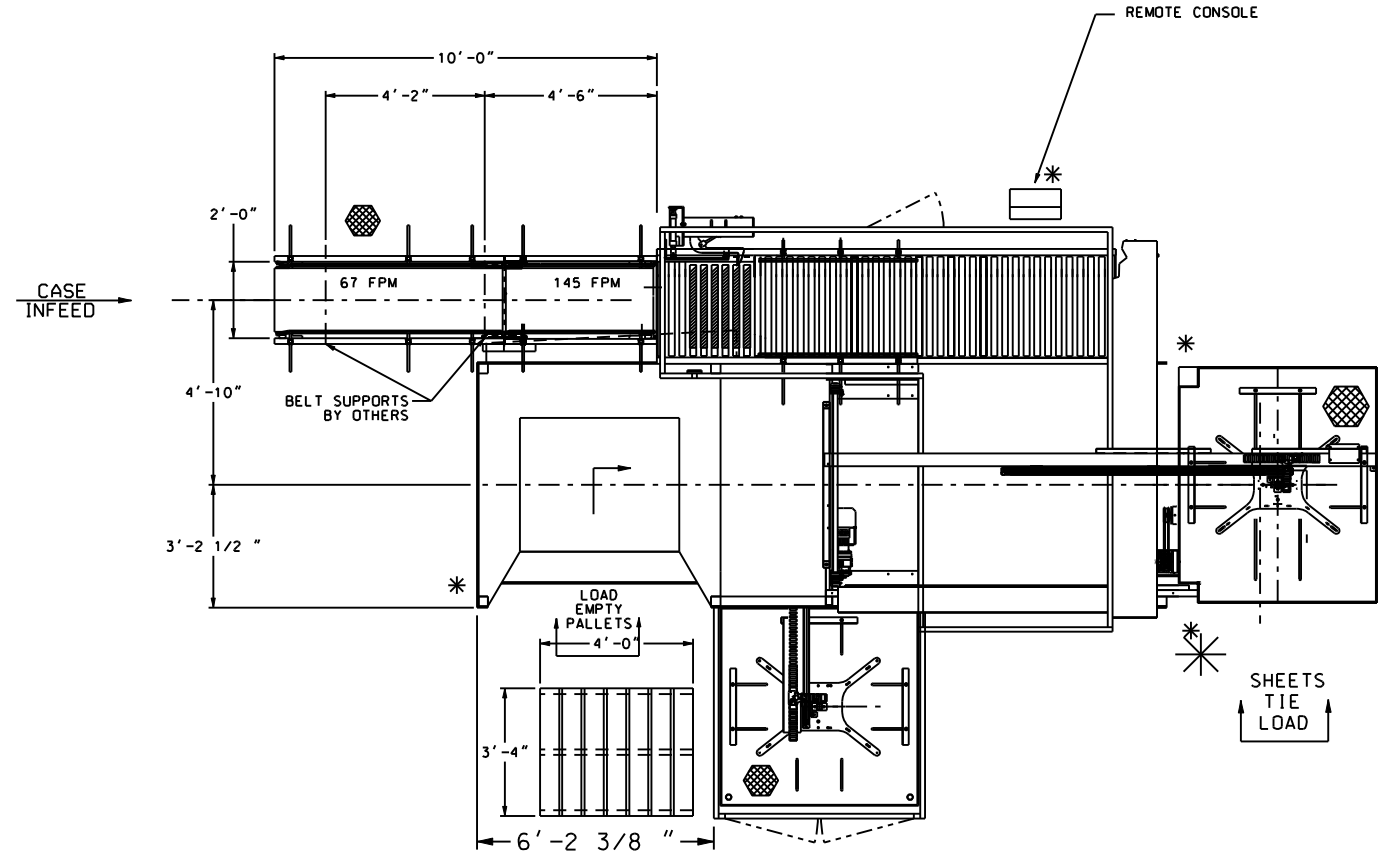
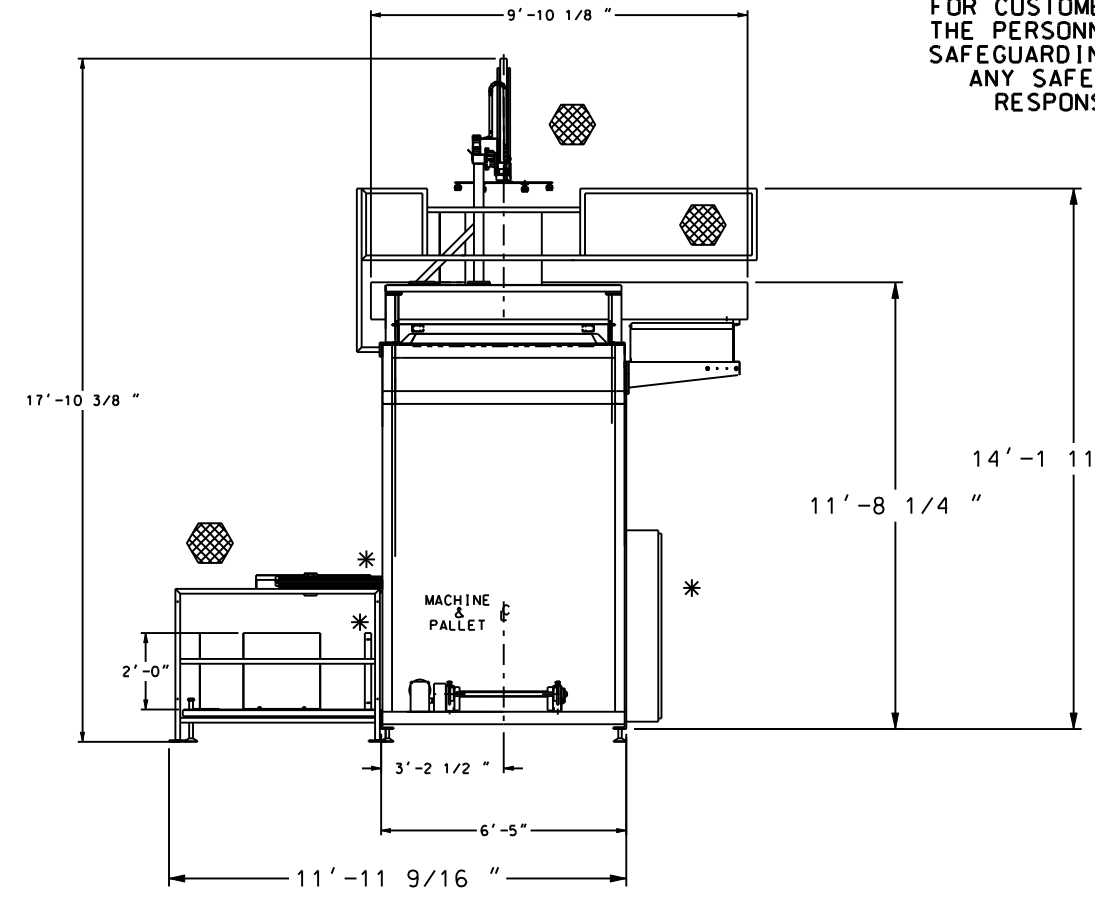
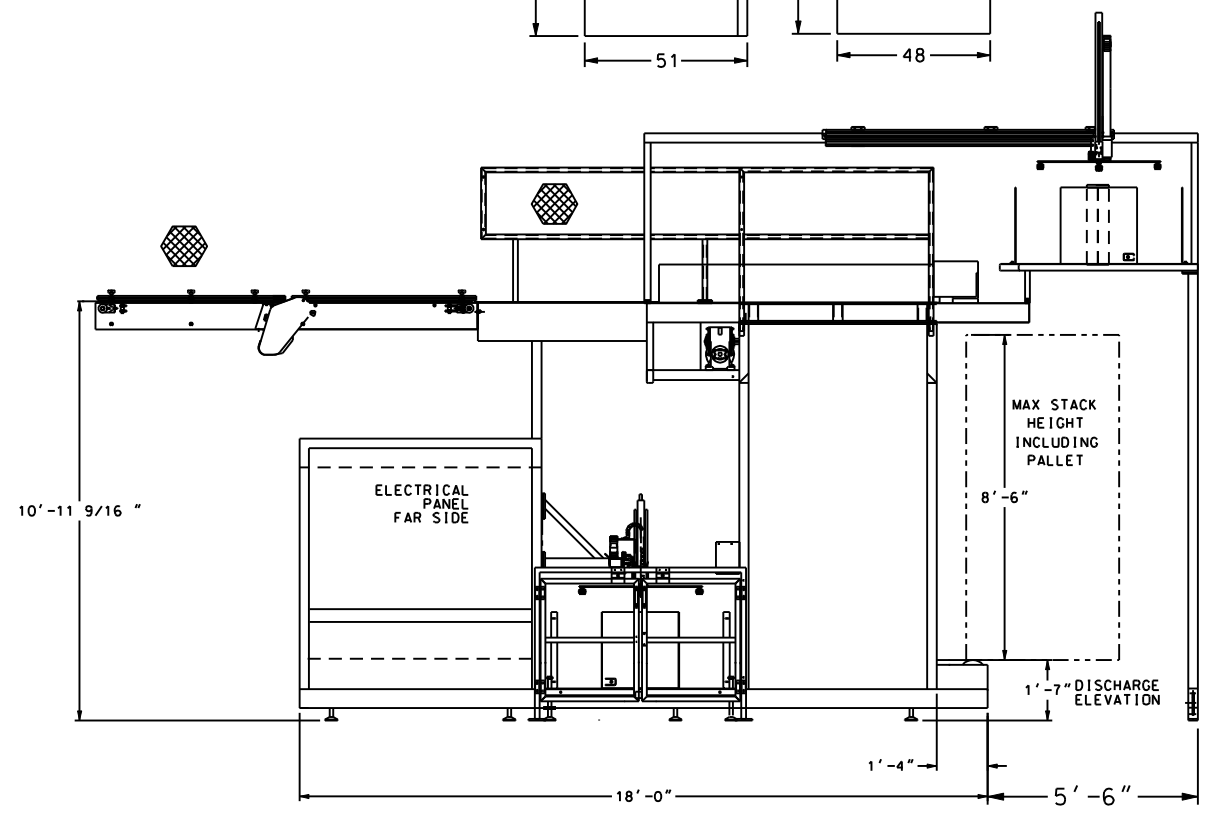


MACHINE SPECIFICATIONS

SERIAL NO.: 3586
 DESIGNATION: SPLXMKII-4-4840-LH-SEPD LTN TSD PPD
 ELECTRICAL SPECIFICATION
 460 VOLTS 60 CYCLE 3 PHASE 24 VDC CONTROLS
 AMP SERVICE REQUIRED: 60
 FULL LOAD AMPS: 36
 KVA: 29
 TOTAL HORSEPOWER: 11.25
 AIR REQUIREMENTS
 SYSTEM AIR PRESSURE: 80 P.S.I.
 SCFM (FREE AIR): 20
 APPROX. SHIPPING DIMENSIONS
 LENGTH: 19'-2"
 WIDTH: 9'-11"
 HEIGHT: 12'-8"
 ITEMS THAT CAN BE REMOVED FOR SHIPPING-----
 EMERGENCY STOP BUTTON LOCATIONS-----*



FOR CUSTOMER-PROVIDED ACCESS PLATFORMS,
 THE PERSONNEL SAFETY PROTECTION THROUGH
 SAFEGUARDING FROM THE PLATFORM AREA AND
 ANY SAFETY INTERLOCKS ARE THE SOLE
 RESPONSIBILITY OF THE CUSTOMER.



TOLERANCES

FRACTIONS	: 1/32"
.XX	: .015
.XXX	: .005
.XXXX	: .0010
ANGLES (TOTAL RUNOUT)	
MACHINING	1/2"
FABRICATING	1"

(UNLESS OTHERWISE NOTED)
 U.S. CUSTOMARY UNITS

ISSUED FOR APPROVAL

By: _____
 Date: _____

Approved As Submitted
 Approved As Noted
 Rejected

CB
 12/21/09
 3/8"=1'-0"

DIMENSIONAL LAYOUT S/N 3586
 SPLX MKII RH(R) 4840 SEPD