

FRONT ISO VIEW

NOTES:

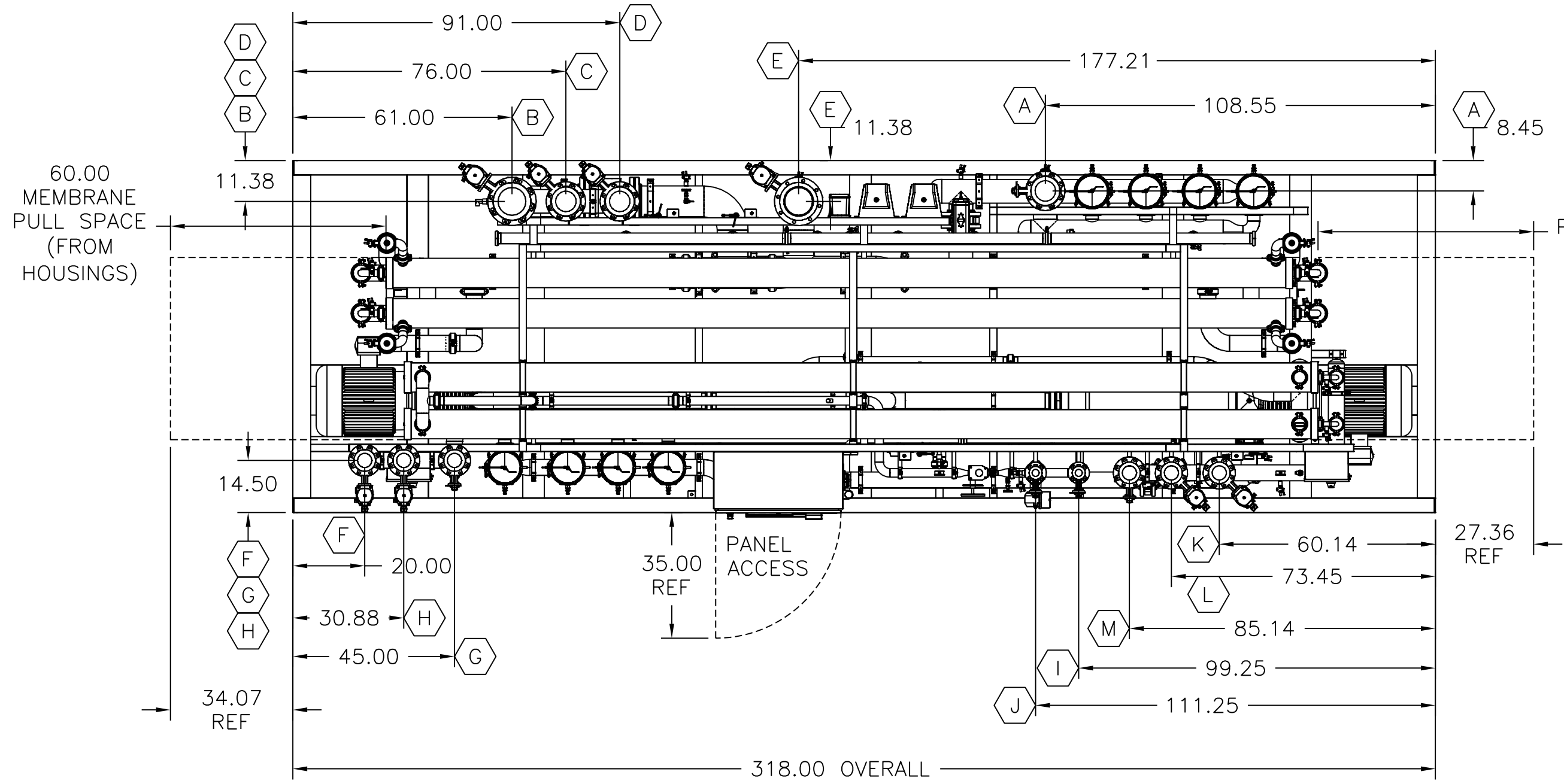
1. CONNECTION TABLE

ITEM	DESCRIPTION	MATERIAL	TYPE	SIZE
(A)	UF, FEED	316L SS	150# FLANGE	6.0
(B)	UF, BACKWASH FEED	316L SS	150# FLANGE	8.0
(C)	UF, RINSE OUTLET	316L SS	150# FLANGE	6.0
(D)	UF, PERMEATE OUTLET	316L SS	150# FLANGE	6.0
(E)	UF, BACKWASH OUTLET	316L SS	150# FLANGE	8.0
(F)	RO, FEED	316L SS	150# FLANGE	4.0
(G)	RO, CIP FEED	316L SS	150# FLANGE	4.0
(H)	RO, FLUSH	316L SS	150# FLANGE	4.0
(I)	RO, CONCENTRATE	316L SS	150# FLANGE	2.0
(J)	RO, CONCENTRATE CIP	316L SS	150# FLANGE	2.0
(K)	RO, PERMEATE	316L SS	150# FLANGE	4.0
(L)	RO, PERMEATE DIVERT	316L SS	150# FLANGE	4.0
(M)	RO, PERMEATE CIP OUT	316L SS	150# FLANGE	4.0
(N)	COMPRESSED AIR INLET	ZINC	FNPT	0.25

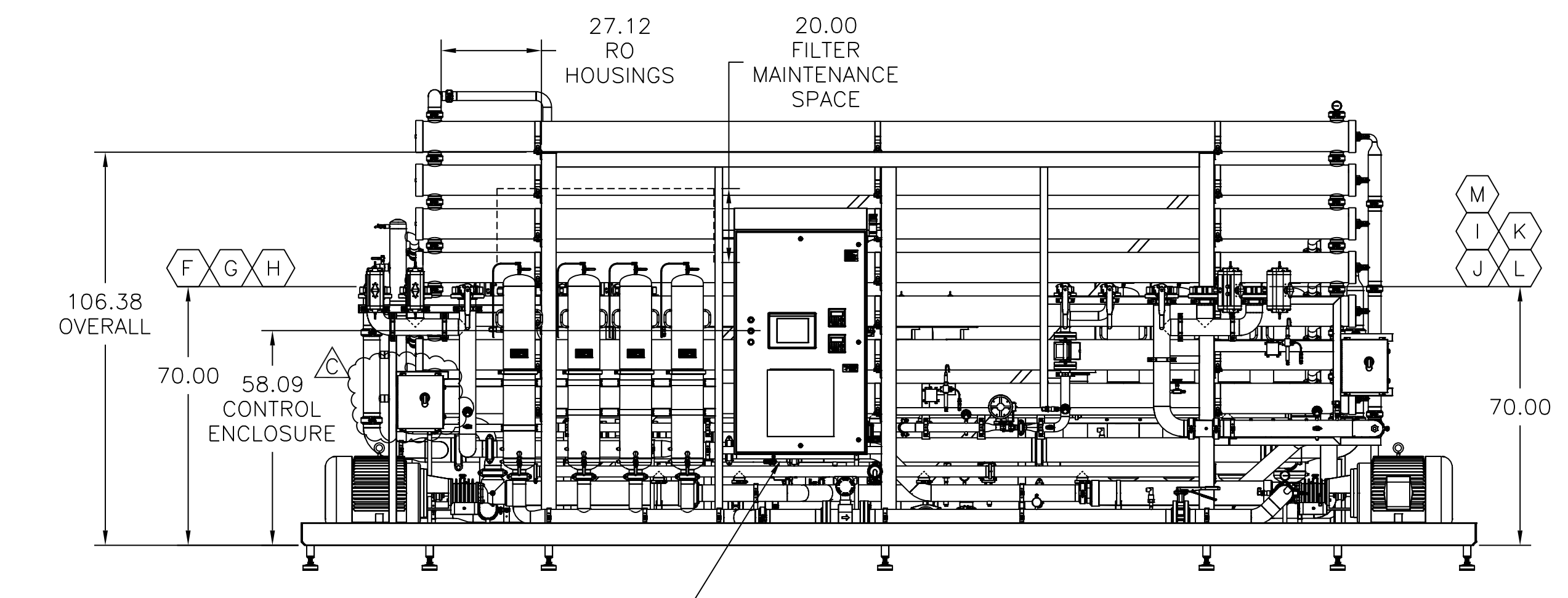
2. SHIPPING WEIGHT - 19,250 LB.
 3. OPERATING WEIGHT - 31,500 LB.
 4. PLUMBING RUN \ EQUIPMENT TABLE:

FND NO.	PART NUMBER	QTY.	DESCRIPTION	U/M
1	1234948	14	HSG,SH-6/815,316,48VIC,RC,4P,PNTD	EA
2	1266184	1	ANALYZER,TURBIDITY,0-100 NTU,HACH 1720E	EA
3	3007131	1	METER,TURBID,HACH,60101-01,ANALYZ,1720E	EA
4	3017155	1	PUMP,TF,AS40409KTE,75HP,TEFC,F2,IP54,T,W	EA
5	4273261A-003	8	HSG,SH-6/815,316,32VIC,RC,2P,1.1.75",PNTD	EA
6	500024A-292	2	DISCONNECT,125AMP,NF,N4XSS,SS HANDLE,AUX	EA
7	500024A-701	1	WIRE CHASE,316 TUBE,3.0	EA
8	500024A-704	1	PLMB,RO INLET,316,4.0	EA
9	500024A-705	1	PLMB,RO PERMEATE,316,4.0	EA
10	500024A-706	1	PLMB,RO CONC LP,316,2.0	EA
11	500024A-716	1	PLMB,RO CONC HP,316,2.0	EA
12	500024A-720	1	PLMB,RO PMP DISCH,P1-P2,316,4.0	EA
13	500024A-724	1	PLMB,INLET UF,316,8.0/2.0	EA
14	500024A-725	1	PLMB,FILTRATE UF,316,8.0/1.5	EA
15	500024A-800	1	PUMP,TF,AS40409KTE-HP,75HP,TEFC,F2,T,W	EA
16	500024A-831	1	ASSY,SKD&FRM,SS,318LX98WX106.38H	EA
17	500024A-954	1	ENCL-MACH,UF/NF,BEV-400-SS,CLGX,PV+1000	EA

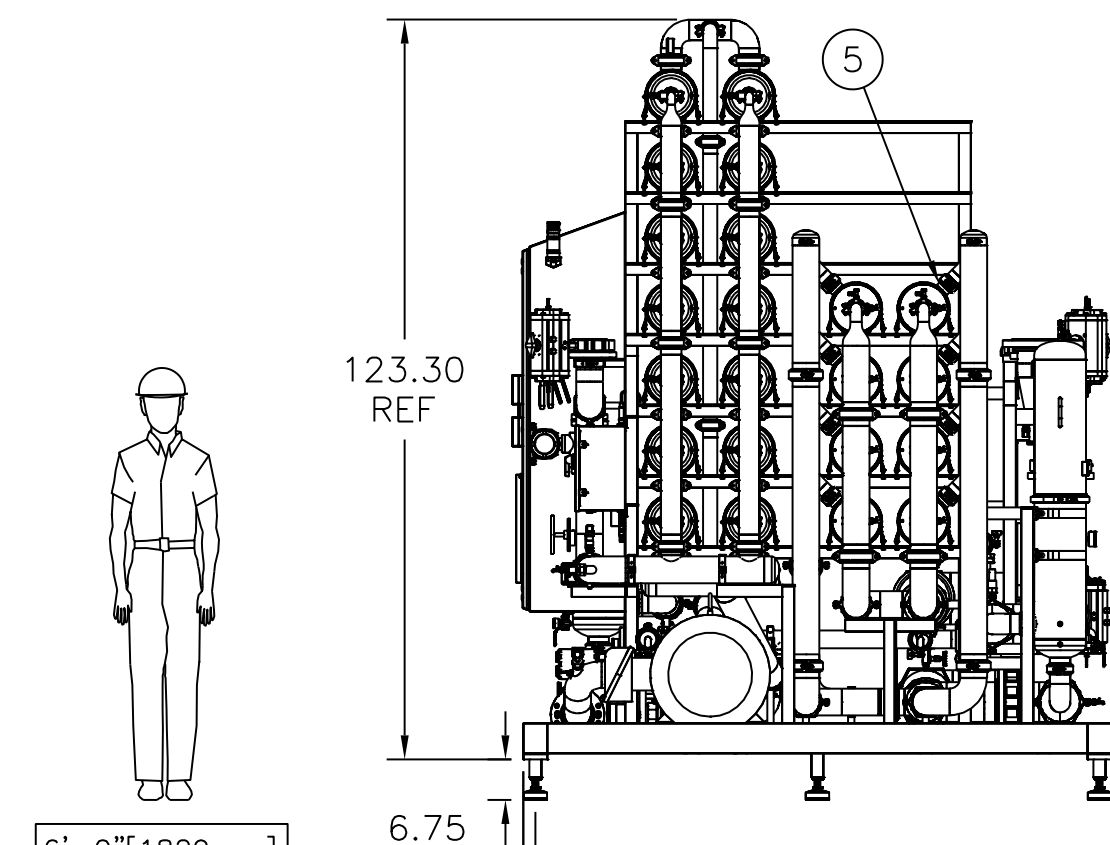
6. ALL DIMENSIONS IN INCHES.
 7. REFERENCE - PROCESS AND INSTRUMENTATION DIAGRAM : 500024A-953.



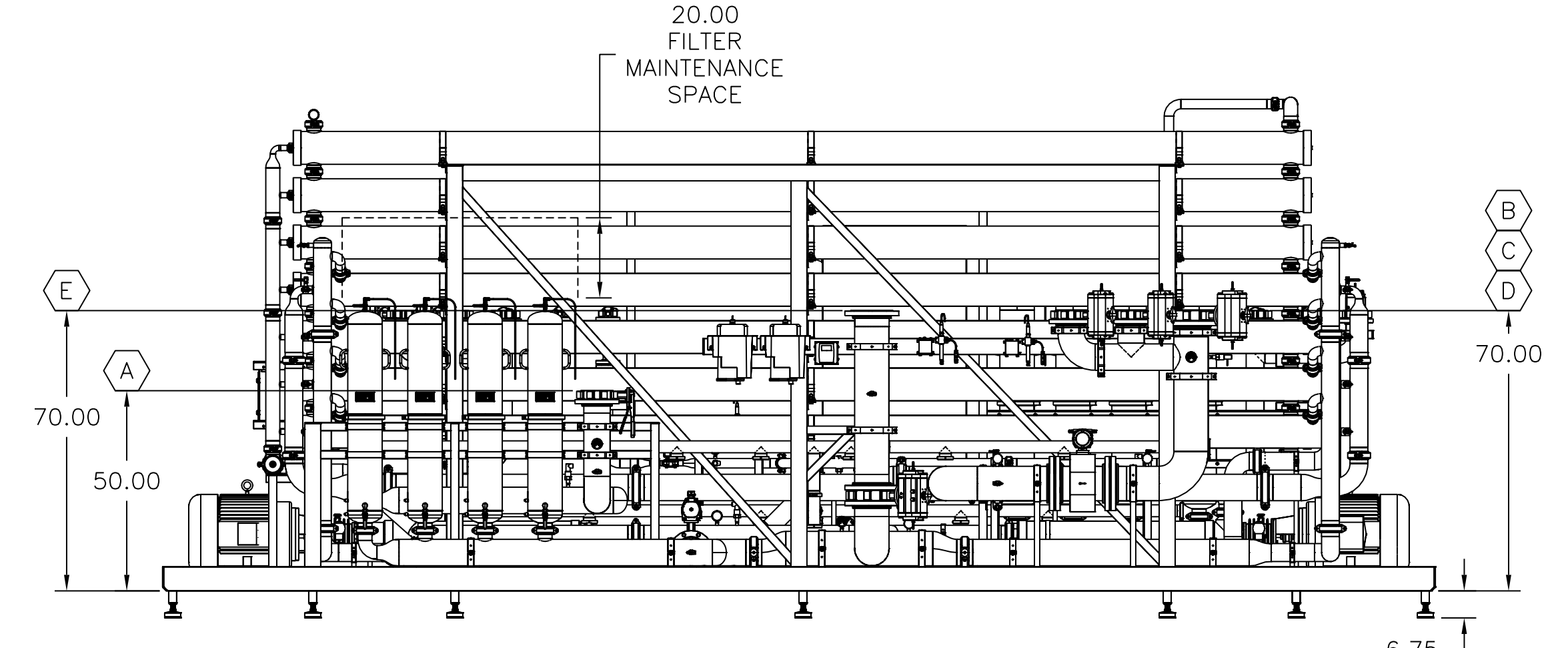
PLAN VIEW



FRONT VIEW



SIDE VIEW



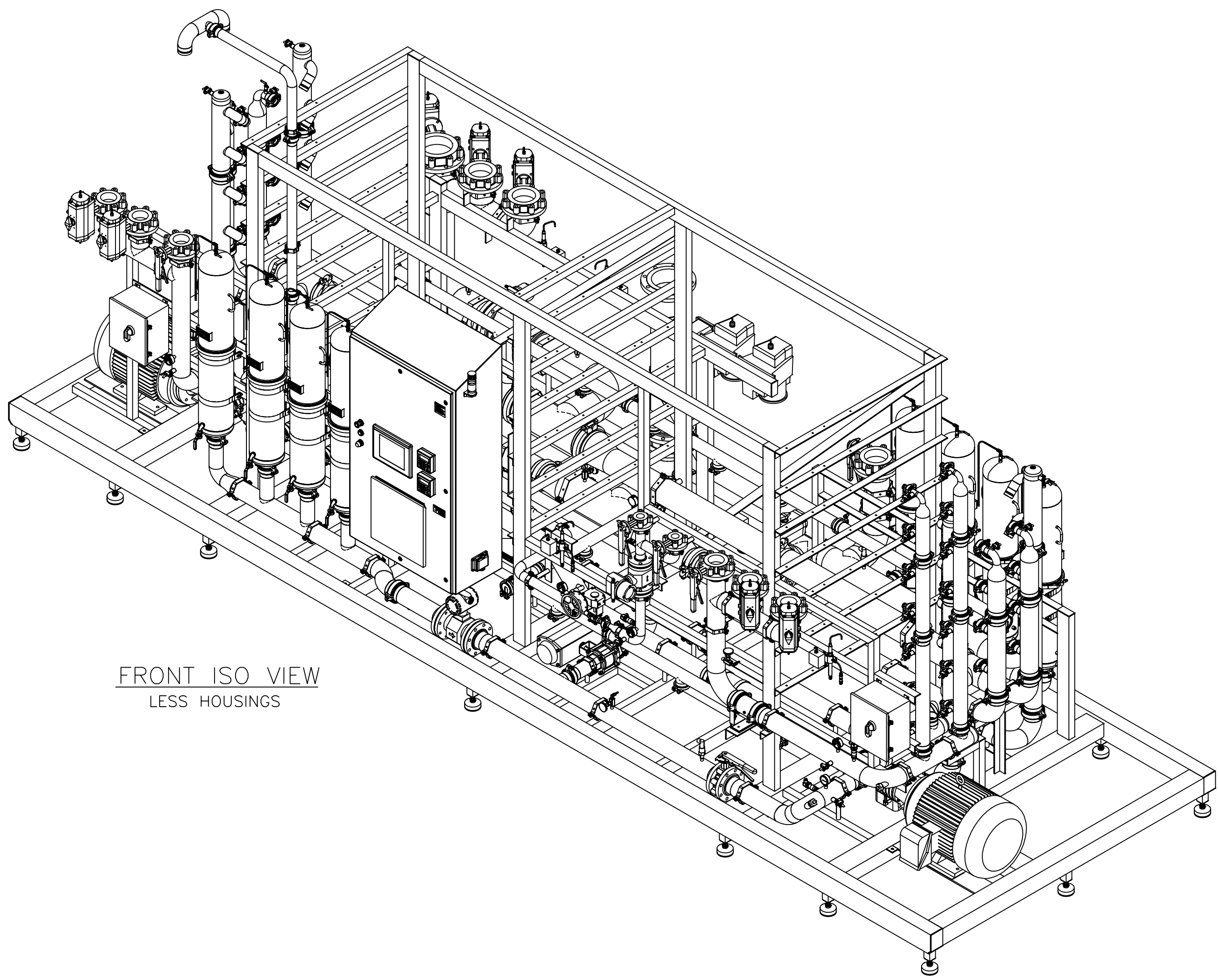
BACK VIEW

REV	DESCRIPTION	ECO	DWN	APVD	DATE	CHKD	TOLERANCES UNLESS NOTED DECIMALS ANGLES ± 1	DRAWN BY SSS	DATE 21Jul10	CLIENT/JOB	DWG DESCRIPTION	SIZE	DRAWING NO.	REV
C	AS SHIPPED			PFM	MAP	08Nov10	.X ± .50 .XX ± .50 .XXX ±	MAP	23Jul10	GA, UF/NF, BEV-400, SS, 460, 60, AB, NORIT	D	500024A-951	C	
B	ADD BALL VALVE 3.0" TO A-704			SSS	MAP	05Aug10	FRAC ± N/A	MAP	23Jul10	ACR2007	SEE BOM	1:32	500024	1 OF 2
A	INITIAL RELEASE				MAP	23Jul10								

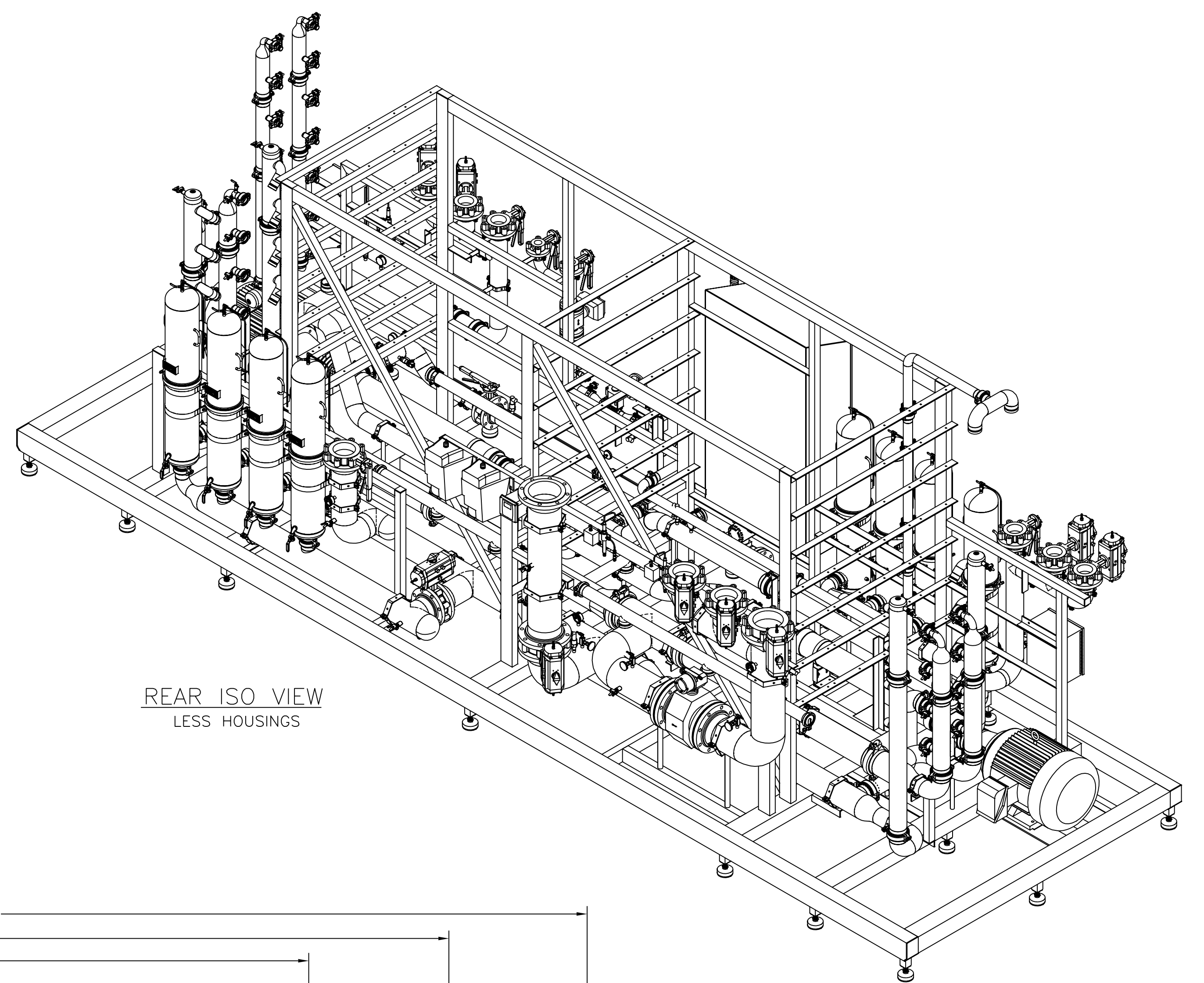
GE Water & Process Technologies
 GLOBAL HEADQUARTERS : TREVOSE, PA USA +1-215-355-3300 WWW.GEWATER.COM

THIS DRAWING, THE DESIGN AND THE PATENTS IT COVERS, IS THE PROPERTY OF GENERAL ELECTRIC COMPANY AND ITS AFFILIATES AND THE INFORMATION CONTAINED HEREIN IS PROPRIETARY INFORMATION WHICH IS NOT TO BE DISCLOSED TO ANYONE WITHOUT PRIOR WRITTEN CONSENT OF SAID COMPANY. THIS DRAWING IS TO BE USED EXCLUSIVELY FOR THE PURPOSES EXPRESSLY AUTHORIZED BY GENERAL ELECTRIC COMPANY AND ITS AFFILIATES THROUGH ITS OFFICERS AND QUALIFIED REPRESENTATIVES AND FOR NO OTHER PURPOSE. NEITHER THIS DRAWING, NOR ANY PORTION THEREOF, SHALL BE REPRODUCED WITHOUT THE PRIOR WRITTEN CONSENT OF SAID COMPANY, AND ANY SUCH REPRODUCTION SHALL BEAR THIS NOTICE.

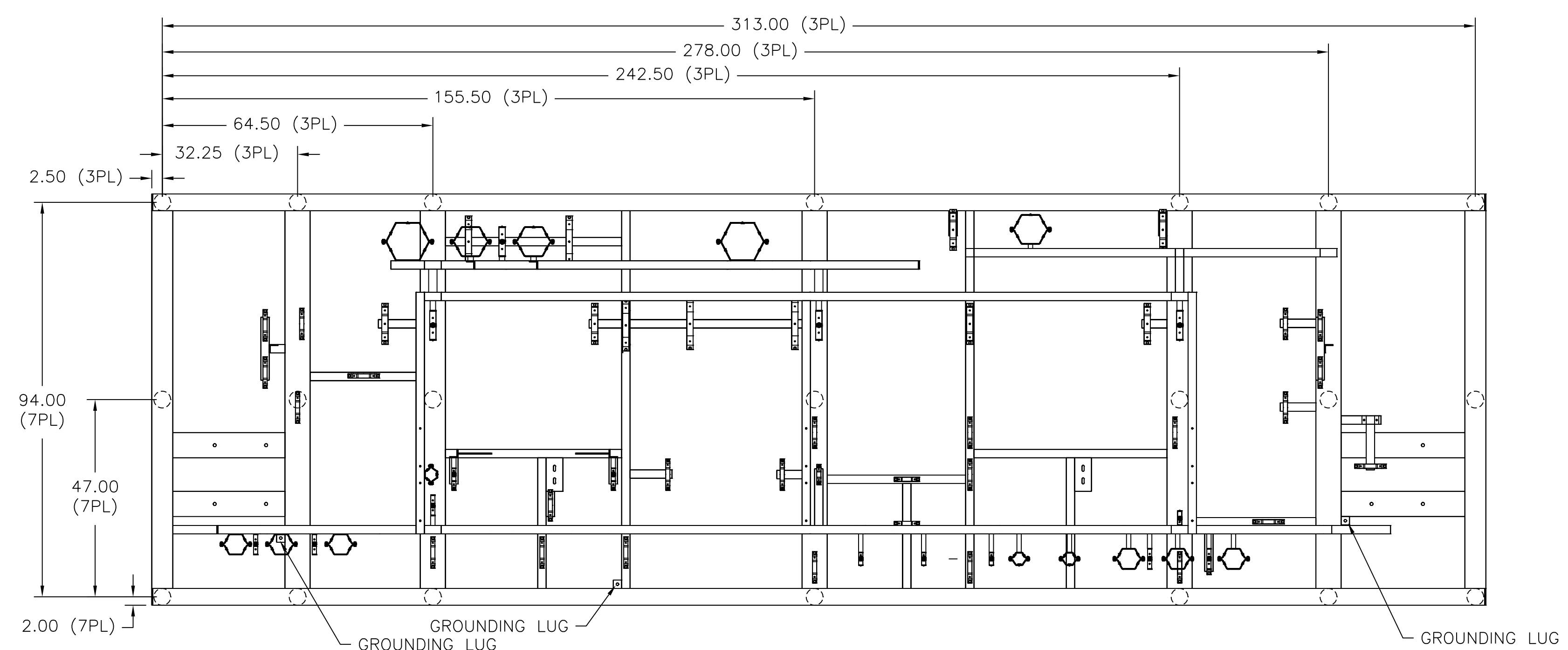
8 7 6 5 4 3 2 1



FRONT ISO VIEW
LESS HOUSINGS



REAR ISO VIEW
LESS HOUSINGS



FRONT ISO VIEW
LEVELING FEET SUPPORT LOCATIONS

REV	DESCRIPTION	ECO	DWN	APVD	DATE	CHKD
C	AS SHIPPED		PFM	MAP	08Nov10	REK
B	ADD BALL VALVE 3.0" TO A-704		SSS	MAP	05Aug10	BMM
A	INITIAL RELEASE		-	MAP	23Jul10	BMM

TOLERANCES UNLESS NOTED	DECIMALS	ANGLES
.X ±		± 1
.XX ±	.50	
.XXX ±		
FRAC		± N/A

DRAWN BY	DATE
SSS	21Jul10
CHECKED BY	DATE
BMM	23Jul10
APPROVED BY	DATE
MAP	23Jul10
APPROVED BY	DATE

GE Water & Process Technologies
 GLOBAL HEADQUARTERS : TREVOSE, PA USA +1-215-355-3300 WWW.GEWATER.COM

THIS DRAWING, THE DESIGN AND THE PATENTS IT COVERS, IS THE PROPERTY OF GENERAL ELECTRIC COMPANY AND ITS AFFILIATES AND THE INFORMATION CONTAINED HEREIN IS PROPRIETARY INFORMATION WHICH IS NOT TO BE DISCLOSED TO ANYONE WITHOUT PRIOR WRITTEN CONSENT OF SAID COMPANY. THIS DRAWING IS TO BE USED EXCLUSIVELY FOR THE PURPOSES EXPRESSLY AUTHORIZED BY GENERAL ELECTRIC COMPANY AND ITS AFFILIATES THROUGH ITS OFFICERS AND QUALIFIED REPRESENTATIVES AND FOR NO OTHER PURPOSE. NEITHER THIS DRAWING, NOR ANY PORTION THEREOF, SHALL BE REPRODUCED WITHOUT THE PRIOR WRITTEN CONSENT OF SAID COMPANY, AND ANY SUCH REPRODUCTION SHALL BEAR THIS NOTICE.

CLIENT/JOB	DWG DESCRIPTION
ACR2007	GA, UF/NF, BEV-400, SS, 460, 60, AB, NORIT
MATERIAL/BOM NO.	SEE BOM

SIZE	DRAWING NO.	REV
D	500024A-951	C
PROJECT	500024	
SCALE	NONE	SHEET
		2 OF 2

FILE	MATERIAL/BOM NO.	SCALE	SHEET
ACR2007	SEE BOM	NONE	2 OF 2

8 7 6 5 4 3 2 1