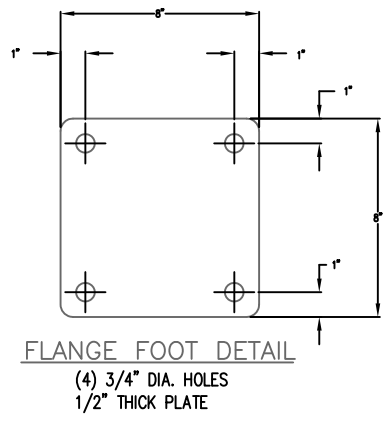


ELEVATION
SEE PLAN VIEW
FOR TRUE ORIENTATION



FLANGE FOOT DETAIL
(4) 3/4" DIA. HOLES
1/2" THICK PLATE

QUOTE N & 10129382 P.O. No. TOM DALY
FELDMAYER EQUIPMENT
 575 E. Mill Street
 Little Falls, New York 13365
 DRAWN BY: MAM ENGRG. Approved By: CI REV A
 DATE 11/18/09 SHEET: 3 of 3
 QTY (1) 3,000 GALLON - 120" I.D.
 VERTICAL, CVD VESSEL
 SOLD TO: DRAWING NO. E-0888-09
 SHIP TO: