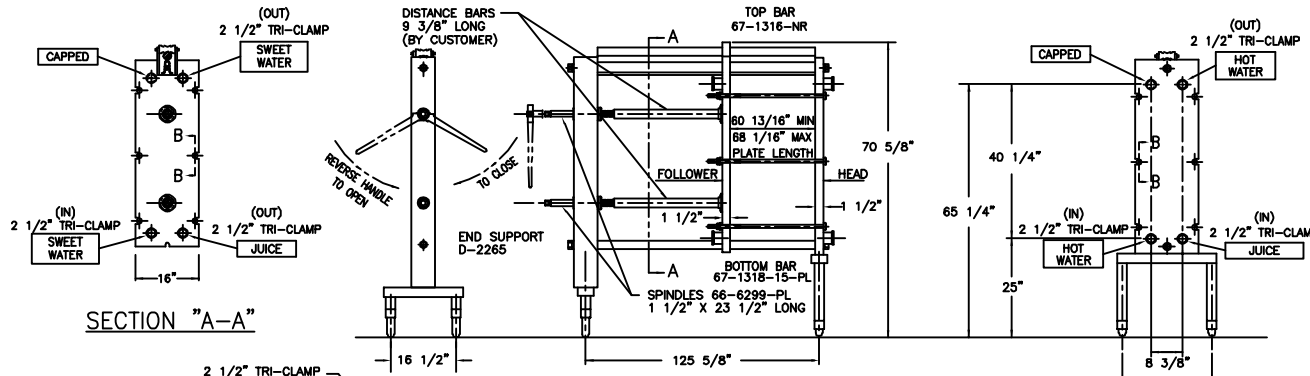


PLAN VIEW OF PLATE ARRANGEMENT

ESTIMATED DUTY					
SECTION	FLUID	FLOW RATE	TEMP °F		PRESSURE DROP P.S.I.G.
			IN	OUT	
HEATER	JUICE	4,000 GPH	173.6	190	5.5
	HOT WATER	257 GPM	193	188.8	14.2
REGENERATOR	RAW JUICE	4,000 GPH	68	173.6	6.5
	PASTEURIZED JUICE	4,000 GPH	190	84.4	5.5
COOLER	PASTEURIZED JUICE	4,000 GPH	84.4	38	12.9
	SWEET WATER	360 GPM	34	42.5	17.1



CONNECTIONS:
 FRAME: 2 1/2" TRI-CLAMP (ALL PORTS)
 CONNECTOR PLATE: 2 1/2" TRI-CLAMP (SEE DETAIL)
 "X" DENOTES 1/8" DRAIN HOLE.

ALL PIPING SYSTEMS INTER-CONNECTED TO THIS HEAT EXCHANGER, MUST BE EQUIPPED WITH A PROPERLY SELECTED AND INSTALLED RELIEF DEVICE. FAILURE TO COMPLY WITH THIS REQUIREMENT COULD RESULT IN PROPERTY DAMAGE AND/OR PERSONAL INJURY.

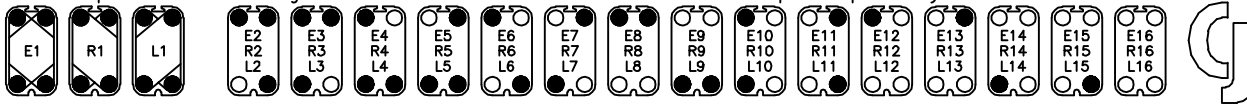
TOTAL PLATES: 286 & 3 END PLATE.
 SERIAL NO. 4863757

CONVERSION
 CUSTOMER

CONNECTIONS ON FOLLOWER MUST BE FLEXIBLE TO ALLOW FOR TIGHTENING OF PLATES.

CONVERTED FROM
 67-1248-N

CONNECTOR PLATE
 2 1/2" TRI-CLAMP
 66-7521-M WITH
 ROLLER ASSEMBLY 67-0927-PL



PART NO.	ITEM	NAME	DESCRIPTION				REQ'D
			REV	CHANGE	DATE	DATE 04/28/97	
		PLATE HEAT EXCHANGER	b			DR	JK
		MODEL HMFS-120/2/289				CK	WWC
		A.I.S.I. 304 S/S BRIGHT FINISH PLATES	c			SCALE	NONE
CHESTER-JENSEN COMPANY INCORPORATED							DWG NO. 67-2231-NC